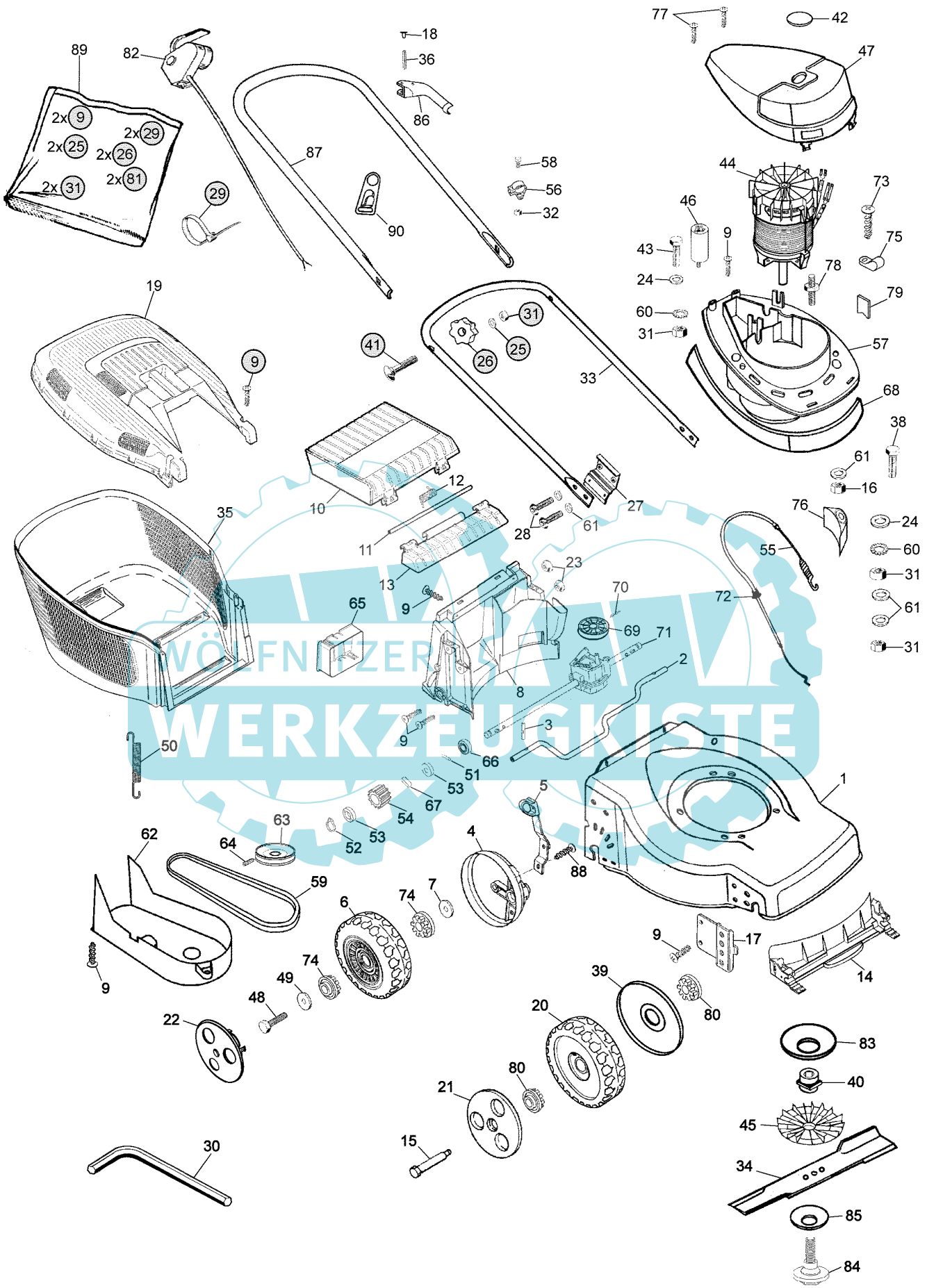


B070A

Ausgabe Issue		Bild Nr Picture No		HANSEATIC 45 EA		HANSEATIC 45 EA		Seite Page	
2004- 1		B070A						8	
Pos. Fig.	Anzahl/Quantity				Artikel Nr. Part No	Bezeichnung	Description	Satz Kit	Anmerkung Notes
1	1				1117-3262-03	Chassie- grün.....	Chassis- green .....		
2	1				1117-1160-01	Hinterachse .....	Shaft- backside.....		
3	2				9595-0212-00	Spannstift .....	Locating pin .....		
4	2				1117-3256-01	Raddeckel .....	Wheel protection cap .....		
5	1				1117-1174-01	Höheneinstellhebe .....	Height adjust lever .....		
6	2				1111-2663-01	Rad .....	Wheel .....		
7	2				9699-0037-02	Scheibe .....	Washer .....		
8	1				1117-3008-01	Leitschiene- hintere .....	Baffle- rear .....		
9	18				9836-9516-12	Schraube .....	Screw .....		
10	1				1117-1156-02	Klappe- schwarz .....	Rear flap- black .....		
11	1				1117-1143-01	Achse.....	Shaft .....		
12	1				1117-1126-01	Feder .....	Spring- rear flap .....		
13	1				1117-1155-02	Klapphalterung- schw. ....	Flap holder- black .....		
14	1				1117-3007-01	Leitschiene- vordere .....	Baffle- front .....		
15	2				1117-3223-01	Ansatzbolzen .....	Shoulder bolt .....		
16	4				9716-0831-02	Mutter .....	Nut .....		
17	2				1117-3009-01	Radplatte .....	Wheel plate .....		
18	2				1117-3075-01	Druckstift .....	Press nail .....		
19	1				1117-1157-02	Behälterdeckel- schwar. ....	Grassbag cover- black .....		
20	2				1111-3163-01	Rad .....	Wheel .....		
21	2				1117-3224-02	Nabenkapsel- weiß .....	Hub cap- white .....		
22	2				1111-2815-03	Nabenkapsel- weiß .....	Hub cap- white .....		
23	4				1117-1131-01	Mutter .....	Nut .....		
24	3				9699-0028-02	Scheibe .....	Flat washer .....		
25	2				1136-0693-01	Scheibe .....	Washer .....		
26	2				1117-3194-01	Verriegelungsrads .....	Locking knob .....		
27	2				1117-1192-01	Isolierplatte .....	Isolation .....		
28	4				1117-3046-01	Bolzen .....	Bolt .....		
X 29	2				1136-1403-01	Kabelhalter .....	Cable holder .....		
30	1				1117-1355-01	Schlüssel .....	Socket wrench .....		
31	6				9799-0831-02	Mutter .....	Nut .....		
32	1				9799-0631-02	Mutter .....	Nut .....		
X 33	1				1136-1430-01	Holm- Unterteil .....	Handlebar- lower part .....		1800 W
34	1				1111-9724-01	Messer .....	Blade .....		Inkl. 42
35	1				1117-1218-01	Behälter- Unterteil .....	Lower grass bag .....		
36	1				9595-0258-00	Spannstift .....	Locating pin .....		
38	1				9997-0880-16	Schraube .....	Screw .....		
39	2				1117-1161-01	Radschutz .....	Wheel protection .....		
40	1				1117-1151-01	Messerhalter .....	Blade mount .....		
41	2				1136-0620-01	Schraube .....	Screw .....		
42	1				1117-1357-01	• Fenster .....	• Window for cap .....		
43	2				1136-1213-01	Schraube .....	Screw .....		
44	1				1117-1369-01	El.Motor .....	El.motor .....		
45	1				1117-1299-01	Ventilator .....	Impeller .....		
46	1				9400-0224-00	Kondensator .....	Capacitor .....		
47	1				1117-1386-01	Motorhaube- grün.....	Motor cover- green .....		
X 48	2				1136-1397-01	Schraube .....	Screw .....		
49	2				9699-0085-02	Scheibe .....	Flat washer .....		
50	1				1117-1120-01	Feder .....	Spring .....		
51	2				9591-0011-00	Stift .....	Pin .....		
52	2				1117-1083-01	Schließring .....	Safety ring .....		
53	4				1111-2830-01	Stützscheibe .....	Support washer .....		
54	2				1111-3075-01	Zahnrad- plastikrad .....	Pinion- plastic wheel .....		
X 55	1				1136-1407-01	Kupplungsdraht .....	Clutch cable .....		
56	1				1117-1114-01	Drahthalter .....	Support .....		
57	1				1117-1372-02	Motorgehäuse- schwarz .....	Motor mount- black .....		
58	1				9865-0616-16	Schraube .....	Screw .....		
59	1				1111-9725-01	Keilriemen .....	V- belt .....		
60	3				9678-0009-02	Schloßscheibe .....	Lock washer .....		
61	10				9699-0062-02	Scheibe .....	Flat washer .....		
62	1				1117-1147-01	Riemenschutz .....	Transmission cap .....		
63	1				1117-3266-01	Riemenscheibe .....	Pulley .....		
X 64	1				1136-1417-01	Schraube .....	Screw .....		



B070A



Ausgabe Issue		Bild Nr Picture No		HANSEATIC 45 EA		HANSEATIC 45 EA		Seite Page	
2004- 1		B070A						10	
Pos. Fig.	Anzahl/Quantity				Artikel Nr. Part No	Bezeichnung	Description	Satz Kit	Anmerkung Notes
	65	1			1111-2927-01	Batteriehalter .....	Battery holder .....		
	66	2			9549-0053-00	Kugellager .....	Ball bearing .....		
	67	2			1111-3256-01	Treibkeil .....	Drive key .....		
	68	1			1117-1373-02	Motorschutz- schwarz .....	Motor cover- black .....		
	69	1			1117-3018-01	• Riemenscheibe .....	• Pulley .....		
	70	1			1111-2382-01	• Stift .....	• Pin .....		
X	71	1			1136-1408-01	Schaltkasten Kpl .....	Transmission assy .....		Inkl. 69, 70
X	72	1			1136-1399-01	Kabelschutz .....	Cable protector .....		
	73	1			9849-7819-16	Schraube .....	Screw .....		
	74	4			1111-1273-01	Buchse .....	Bushing .....		
	75	1			1117-1245-01	Kabelklemme .....	Cable clamp .....		
	76	3			1117-1361-01	Motorstütz .....	Motor support .....		
	77	2			9836-9116-12	Schraube .....	Screw .....		
	78	4			1117-1112-01	Bolzen .....	Bolt .....		
	79	1			1117-1359-01	Klemme .....	Clamp .....		
	80	4			1117-3012-01	Lagerbuchse .....	Wheel bush .....		
	81	2			9836-9225-12	Schraube .....	Screw .....		
X	82	1			1136-1420-01	Schalter .....	Switch .....		die Schweiz
X	82	1			1136-1421-01	Schalter .....	Switch .....		
	83	1			1117-1358-01	Schutz .....	Motor shaft protectio .....		
	84	1			1111-9715-01	Messerbolzen .....	Blade bolt .....		
	85	1			1117-1111-01	Messerscheibe .....	Disc washer .....		
	86	1			1117-3222-01	Regulierbügel .....	Control lever .....		
X	87	1			1136-1434-01	Holm- Oberteil .....	Handlebar- upper part .....		
	88	2			9836-9512-12	Schraube .....	Screw .....		
	89	1			1117-3044-01	Montagesatz .....	Assy kit .....		
	90	1			1136-0662-01	Kabelbefestigung .....	Fairlead .....		

